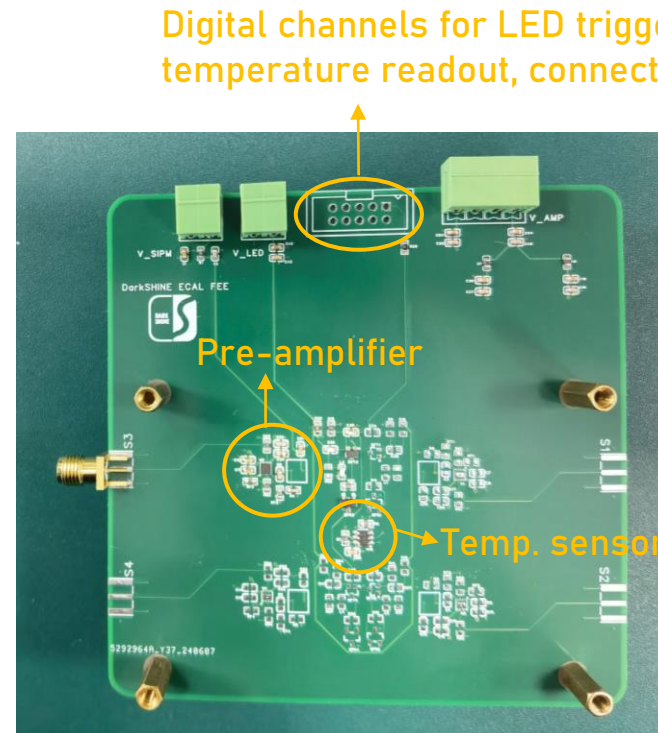
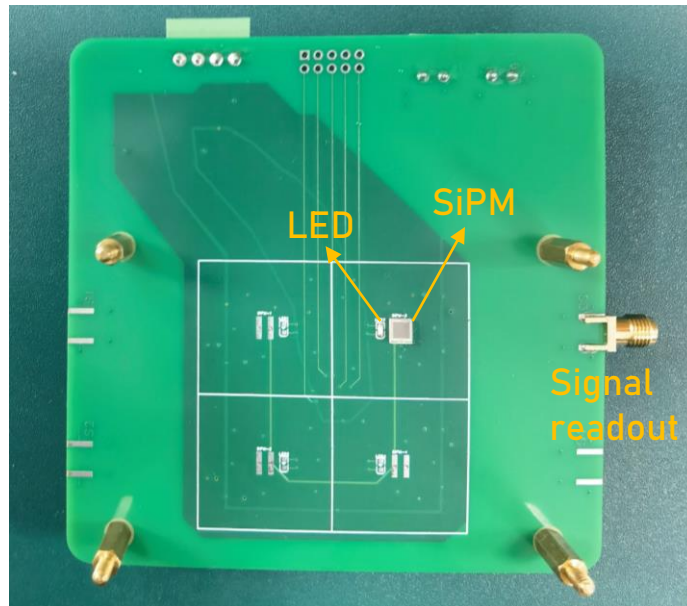


- Finished the design and production of the first front-end electronical board for crystal module
 - ✓ 4-channel: first module will have two layers, 2*2 crystal on each layer
 - ✓ Signal readout and amplifier
 - ✓ Temperature monitoring (to be tested)
 - ✓ LED for SiPM gain calibration (to be tested)
 - ❑ Support structure (to be designed)

with Jiannan



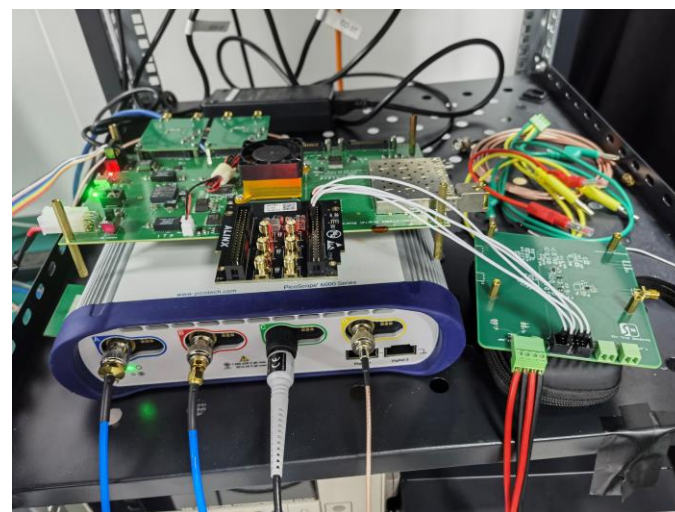
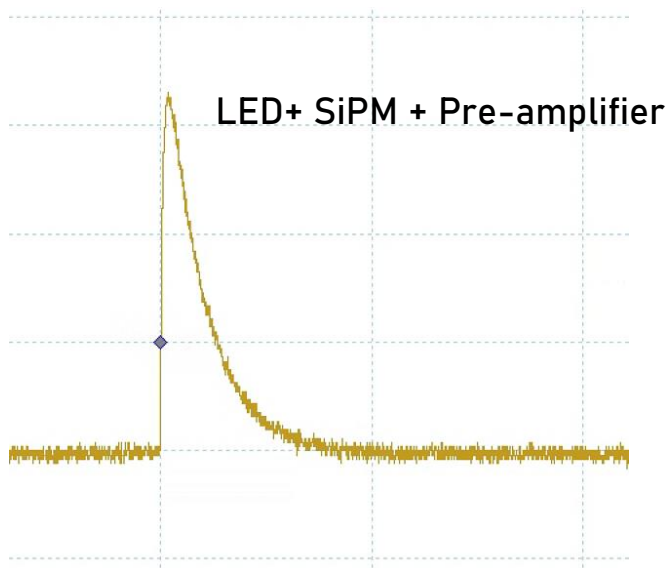
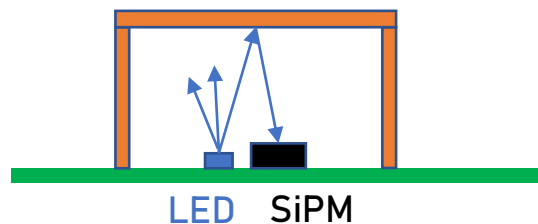
FEE Test



上海交通大学
SHANGHAI JIAO TONG UNIVERSITY

李政道研究所
Tsung-Dao Lee Institute

with Jiannan



$$\text{Temperature: } (3260/4) * 0.03125 = 25.47^{\circ}\text{C}$$

